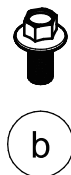


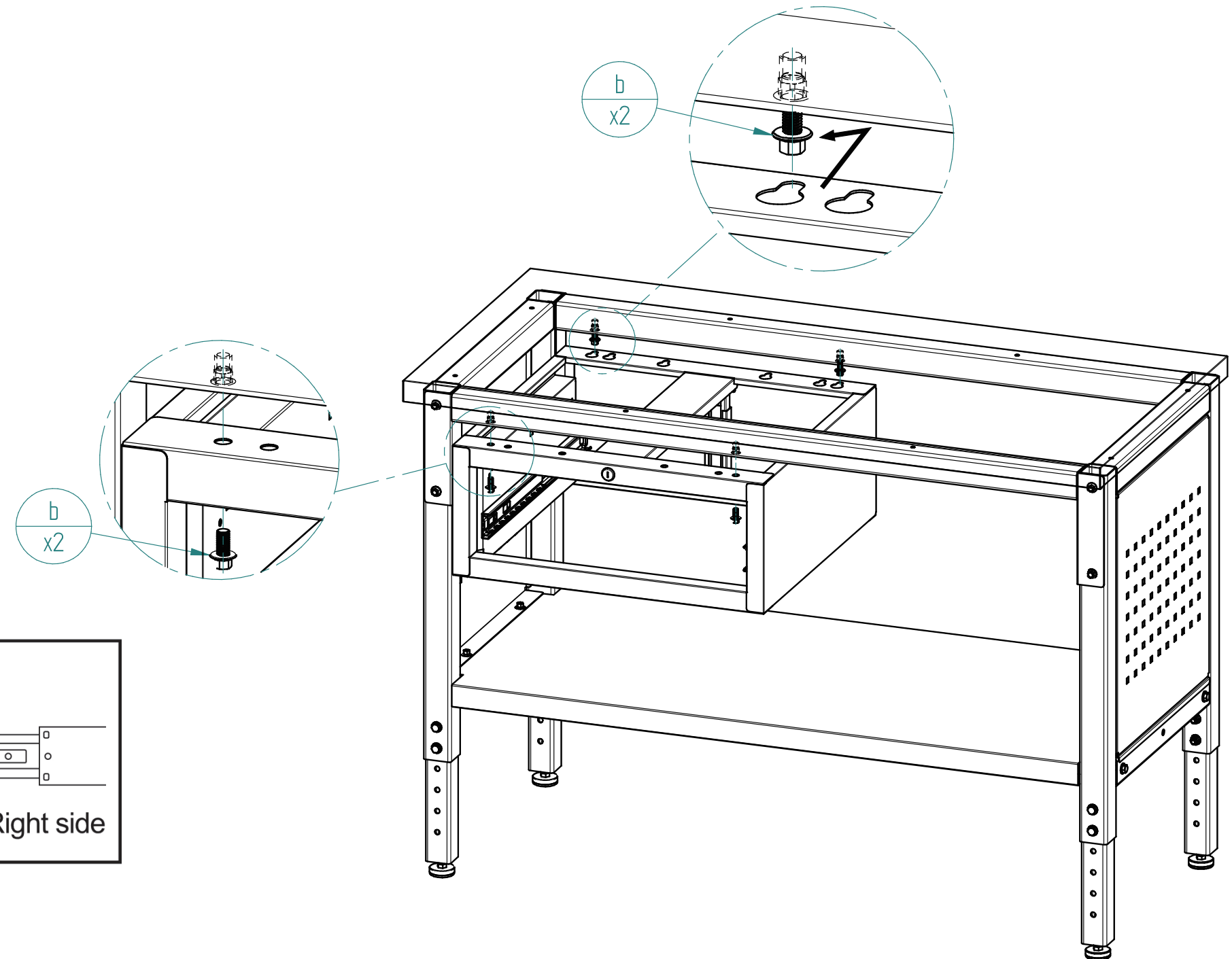
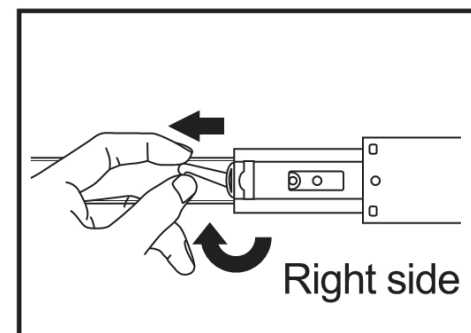
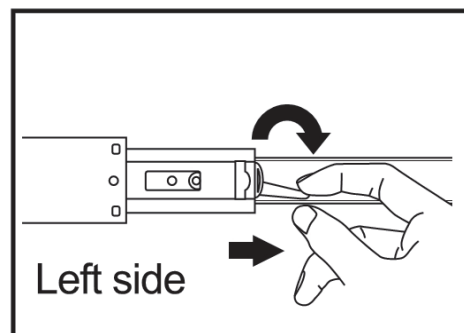
SGS SWSTSP02

OWNER'S MANUAL

NO.	DESCRIPTION	QTY.
b	Bolts M8x16 mm	4



Flick the plastic clips on the inside slide to detach the inside slide from the outside slide.



FOR YOUR SAFETY
PLEASE READ THESE INSTRUCTIONS CAREFULLY
AND RETAIN THEM FOR FUTURE USE.



FASTENERS

NO.	DESCRIPTION	QTY.
b	Bolts M8x16 mm	4

